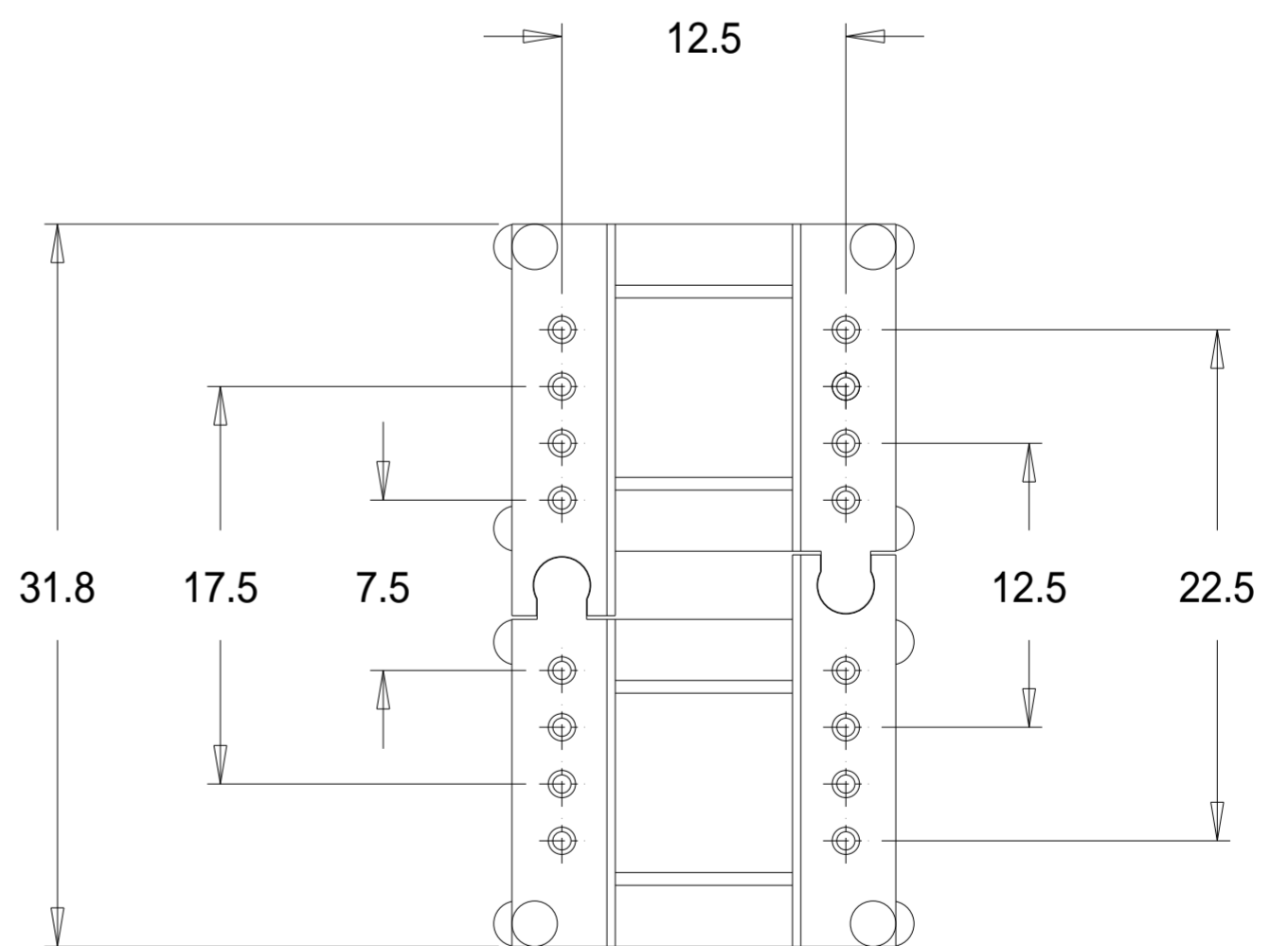
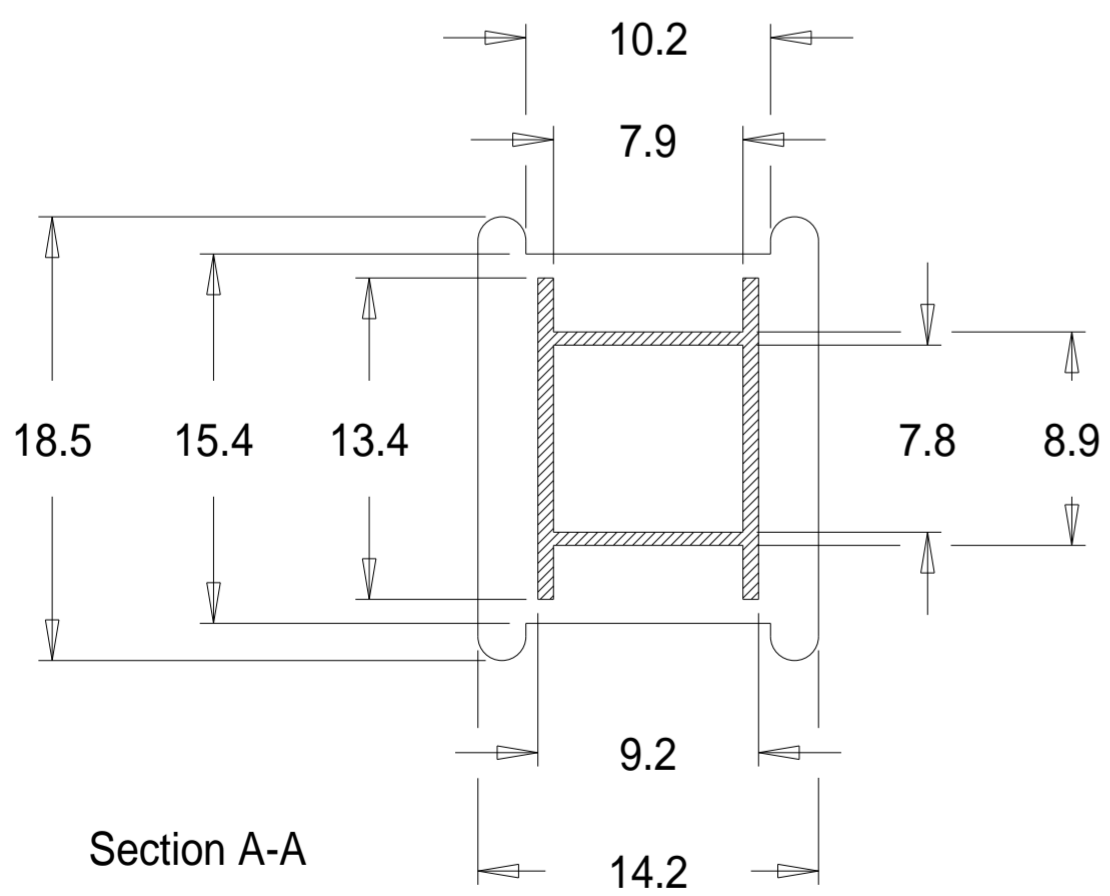
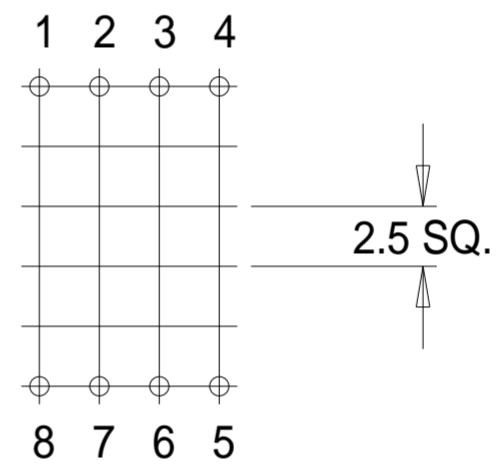
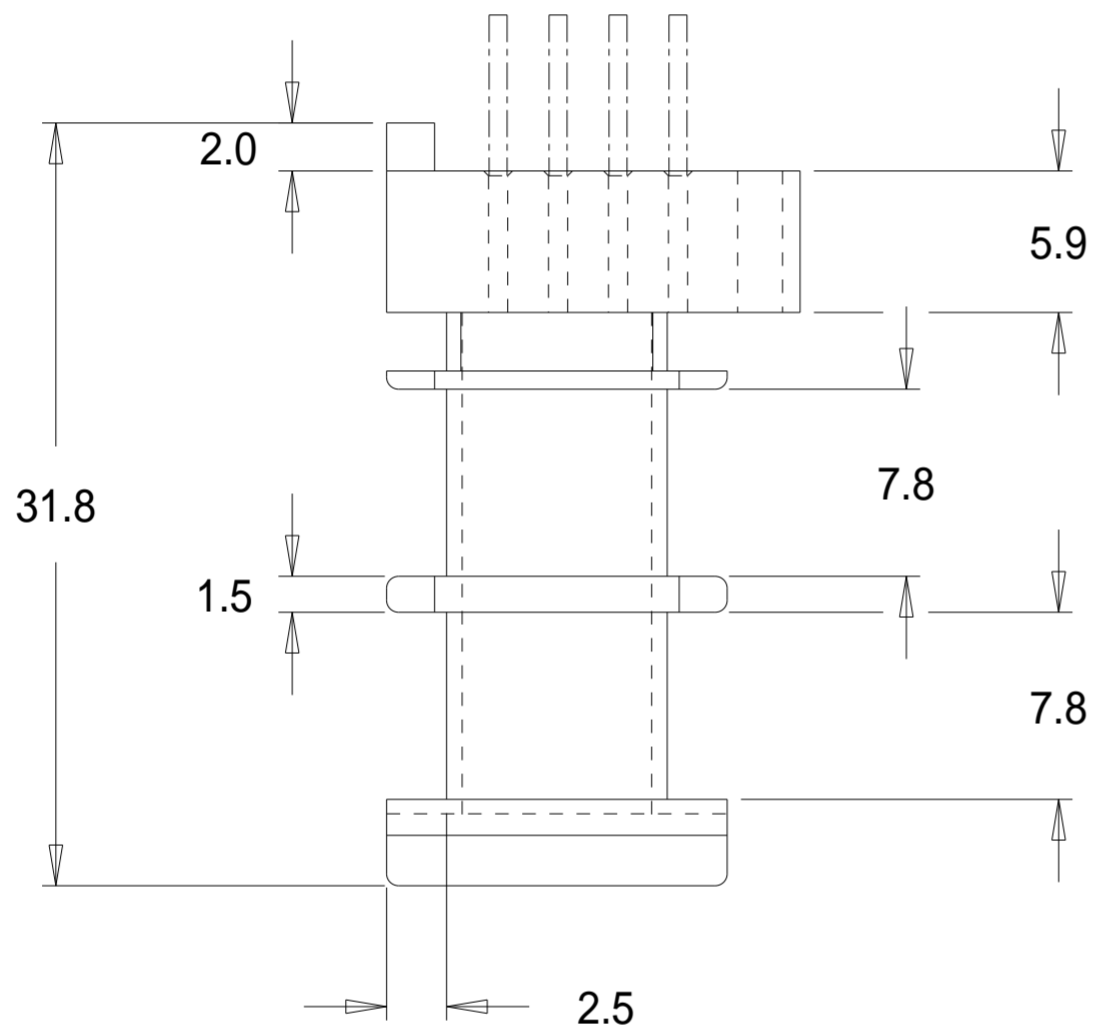
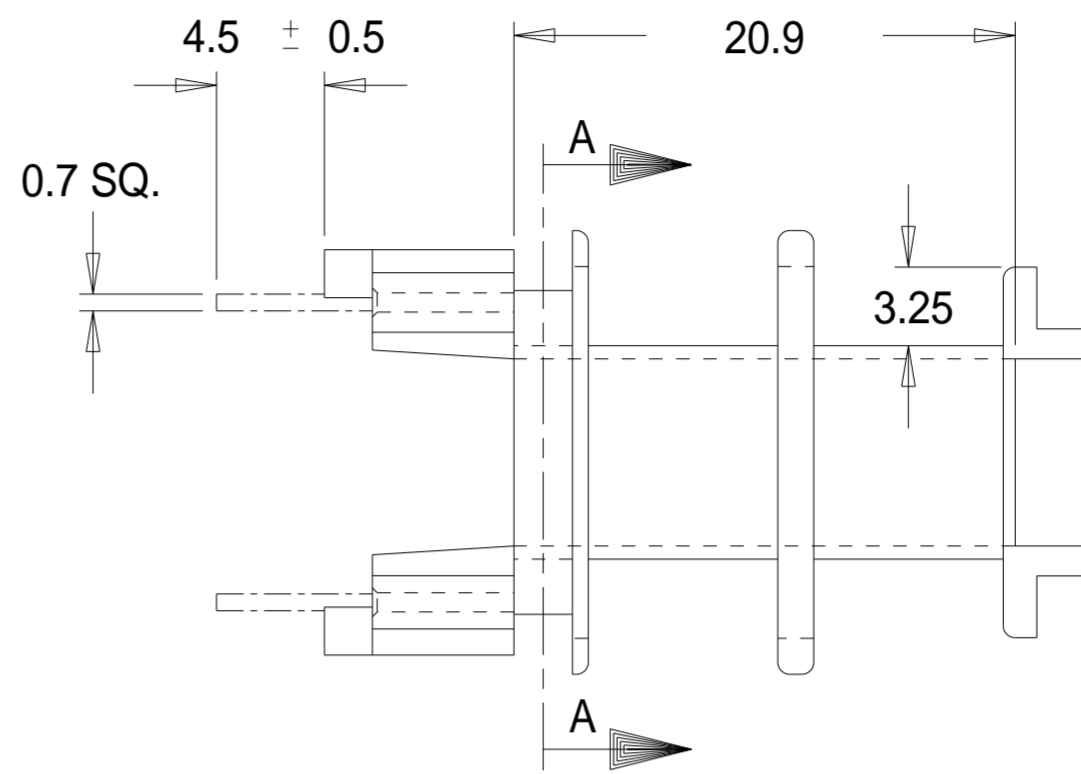
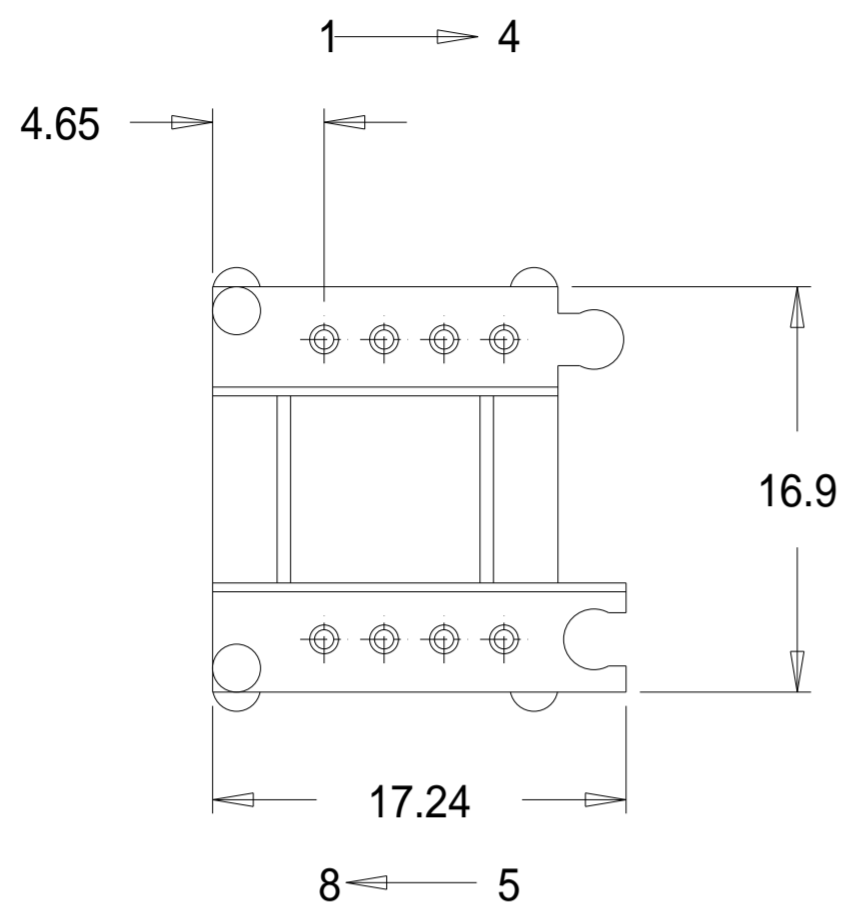


# Part No. FU0650

## U 25/19/17 Double Section 'U' Range Bobbin



Dimensions in millimetres.

